

Metro Ethernet



Metro Ethernet

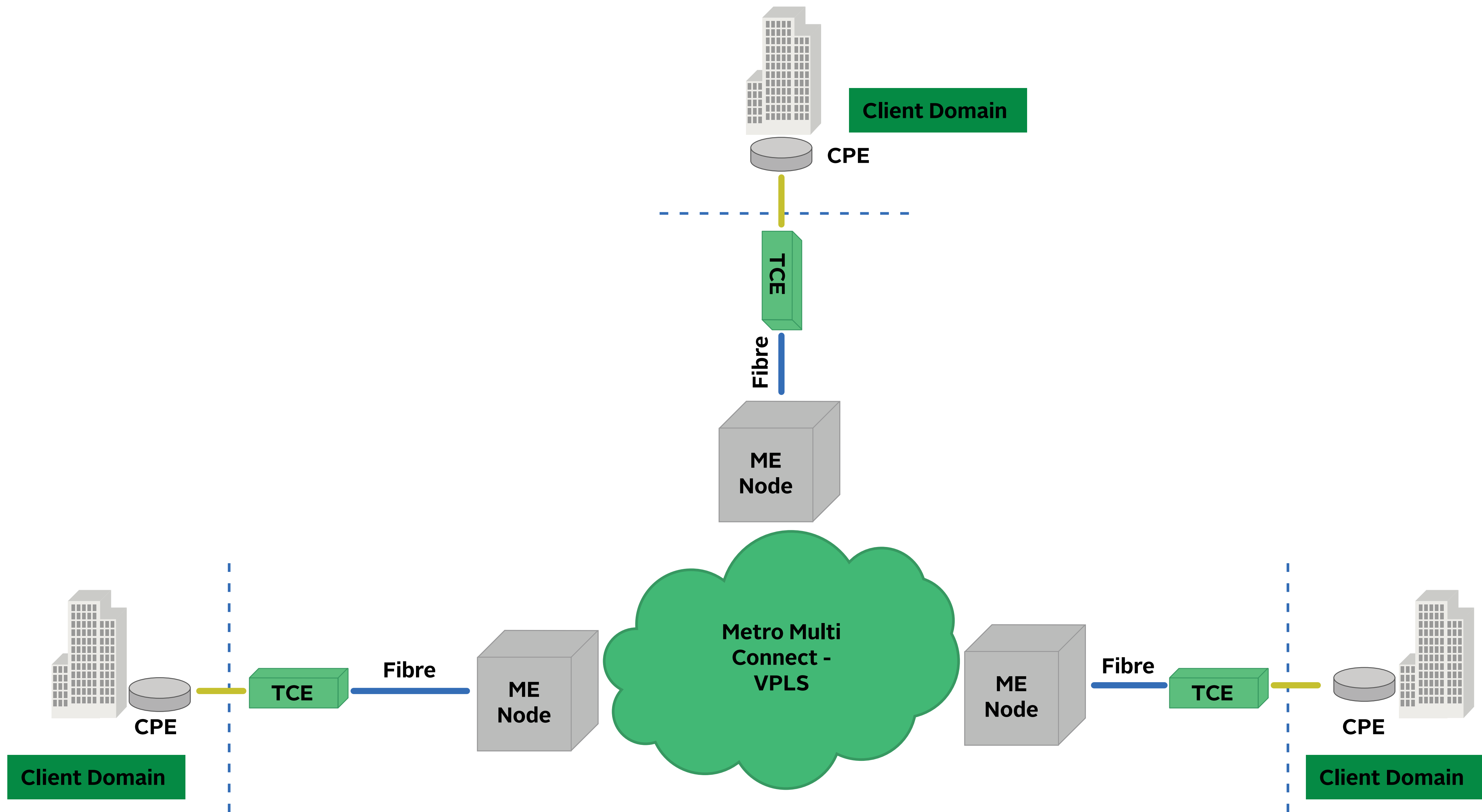
A cost effective, non-distance based product for connectivity within and between different cities. With improved scaling options when compared to legacy offerings, Metro Ethernet provides higher speeds, reliability of communication and enhanced security.

Available in two options: **Metro Clear** and **Ethernet Express** – Metro Ethernet has been specifically designed to cater for the unique connectivity needs of your business.



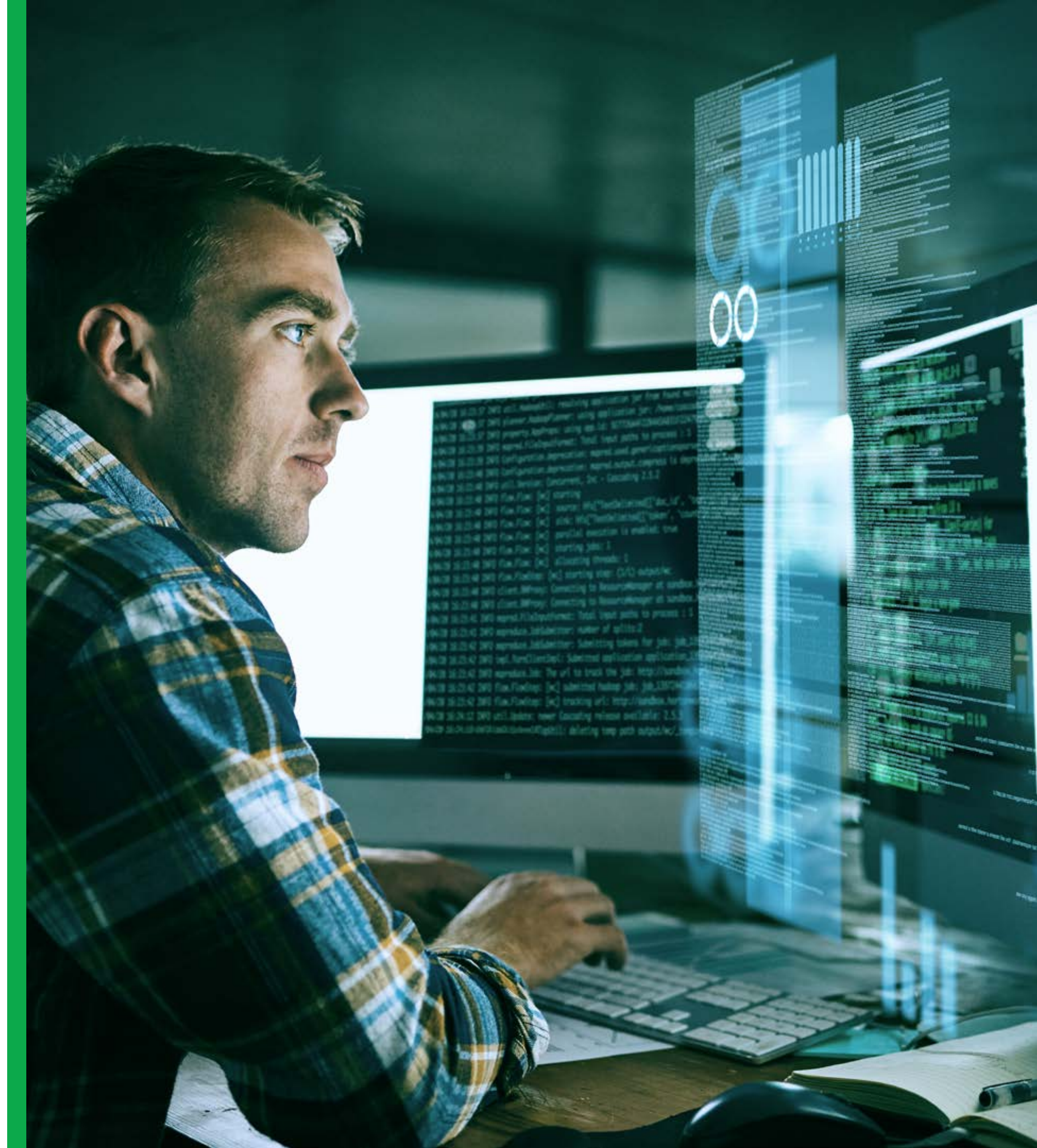


Metro Clear: Designed perfectly for your business to connect multiple locations, point to multipoint or multipoint to multipoint. Available as an intra-bandwidth service for connections within the same metro, or inter-bandwidth for fast, stable, and private networks between different metros. You can even provision your own layer 3 services, like video or voice on the foundation of the Metro Clear service, giving you the flexibility you need for your connectivity needs.

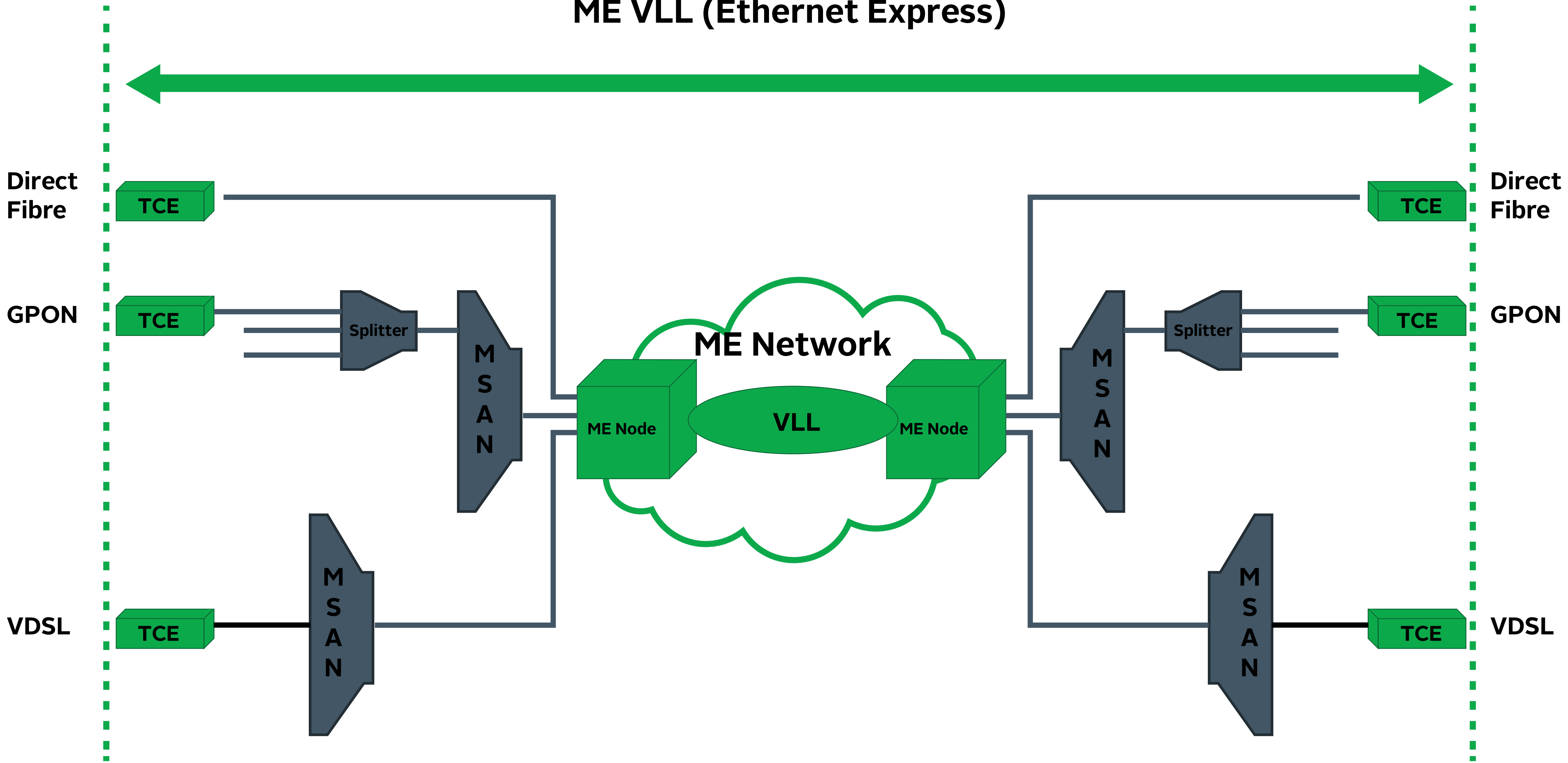


Ethernet Express: Designed for Secure, direct, location-to-location connectivity for flexible transmission with higher bandwidth and service multiplexing. Available as an intra-bandwidth service for connections within the same metros, or inter-bandwidth for fast, stable, and private networks between different metros. This connection is an Ethernet Virtual Connection, ensuring your clients are seamlessly connected through Openserve carrier ethernet network. The quality of service levels we offer gives you the flexibility and granularity to really differentiate your services, so you can retain and grow your revenues.

Our next generation technology will take you into the future with unequalled speed.



ME VLL (Ethernet Express)



Suitable for any size of business, Metro Ethernet can be accessed across a range of connectivity mediums, with package speed options of up to a blistering 1000Mbps.

- **Fibre:** 1mbps – 1000mbps
- **Microwave:** 1mbps – 140mbps
- **GPON:** 1mbps – 40mbps
- **VDSL:** 1mbps – 10mbps



Connect with your dedicated Account Manager to discuss a solution for your business.
Terms and Conditions apply, for more information visit www.openserve.co.za/open/terms.

August 2018

